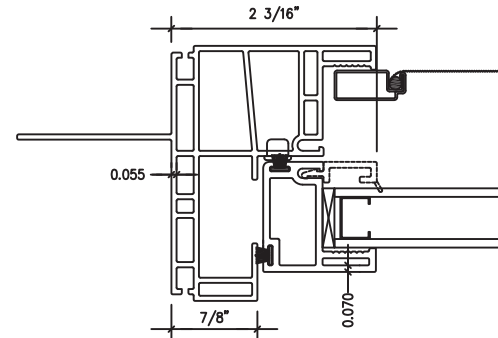
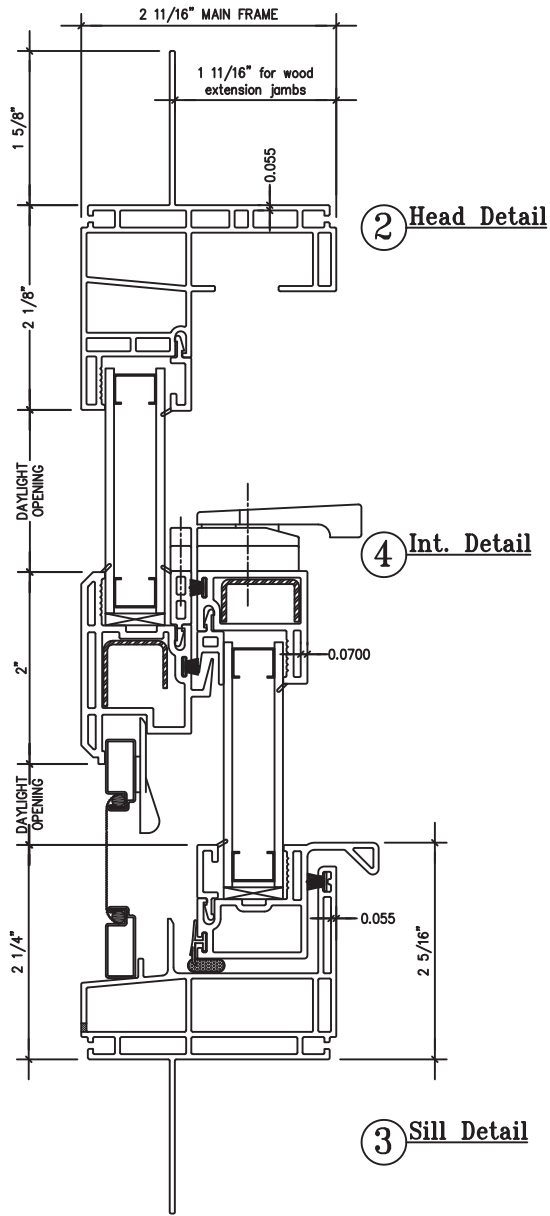
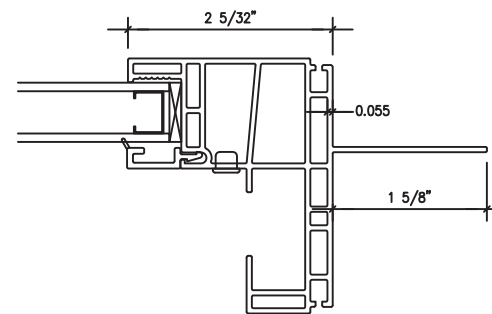




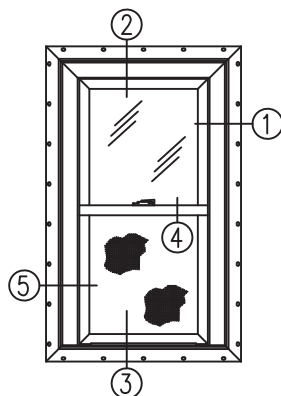
THIS MATERIAL IS PROPRIETARY AND CONFIDENTIAL. TO SILVERLINE BUILDING PRODUCTS AND SHALL NOT BE REPRODUCED, COPY OR DISSEMINATED WITHOUT THE EXPRESSED WRITTEN PERMISSION OF SILVERLINE BUILDING PRODUCTS.



**5 Jamb Detail Thru Lower Sash**



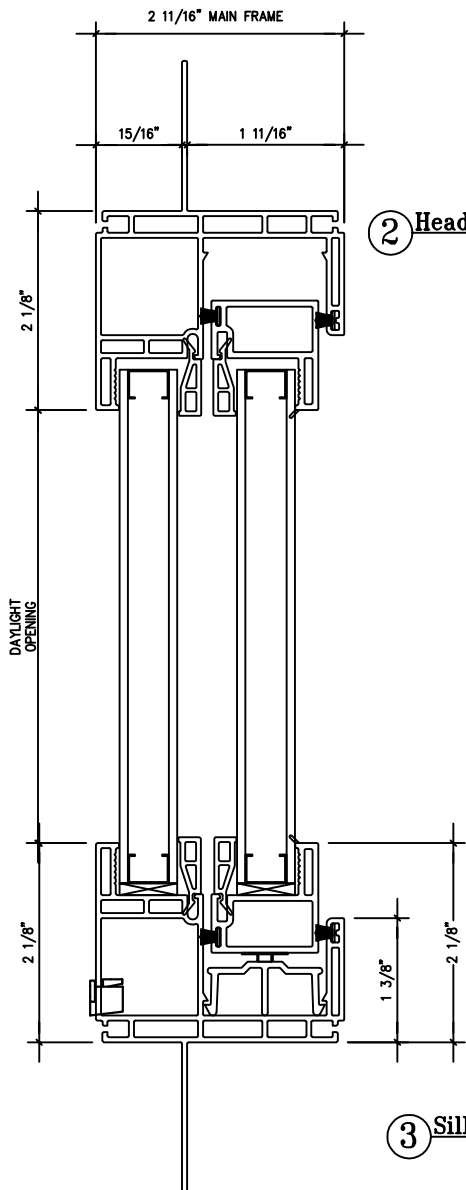
**1 Jamb Detail Thru Upper Fixed Lite**



SERIES 2201/2301 S.H. SINGLE UNIT

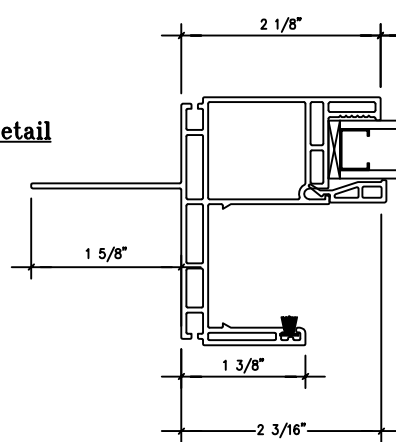
STANDARD TOLERANCES:  
(UNLESS OTHERWISE NOTED)  
ALL WALLS = ±.005  
.000 TO .499 = ±.005  
.500 TO 4.000 = ±.010  
OVER 4.000 = ±.015  
ANGULAR DIM. = ±1/2°

REV	DESCRIPTION	BY	DATE
<b>Silver Line</b> ONE SILVERLINE DRIVE NORTH BRUNSWICK, NJ 08902 (732) 435-1000			
ASSY WITH		SCALE	
AS NOTED		3:4	
PRODUCT		DWN	DATE
SERIES 2201/2301 SINGLE HUNG		MP	06/01/04
MATERIAL		APP	DATE
VINYL			
PART SINGLE HUNG WINDOW		DWG NO.	REV.
FLANGE/NAILING FIN ASSEMBLY		AS-52-2200-1	—

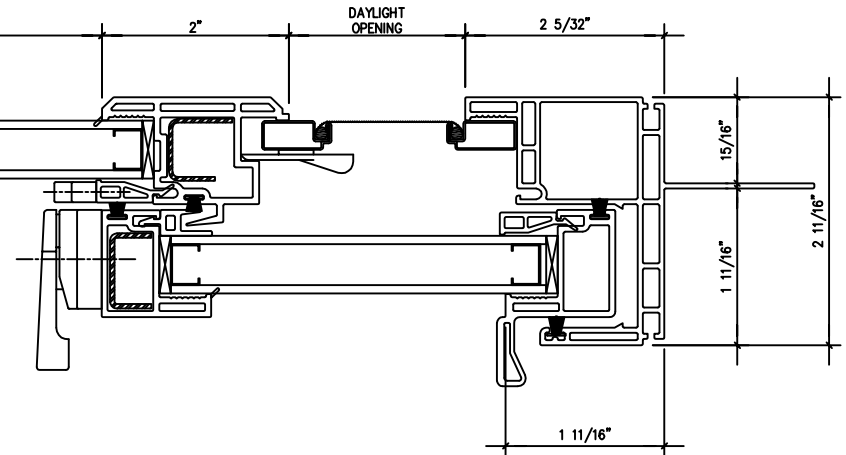


③ **Sill Detail**

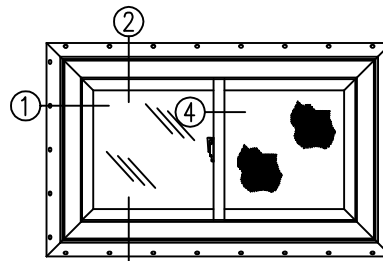
② **Head Detail**



① **Jamb Detail**



④ **Int. Detail**



SERIES 2292/2392 HORIZONTAL SLIDER

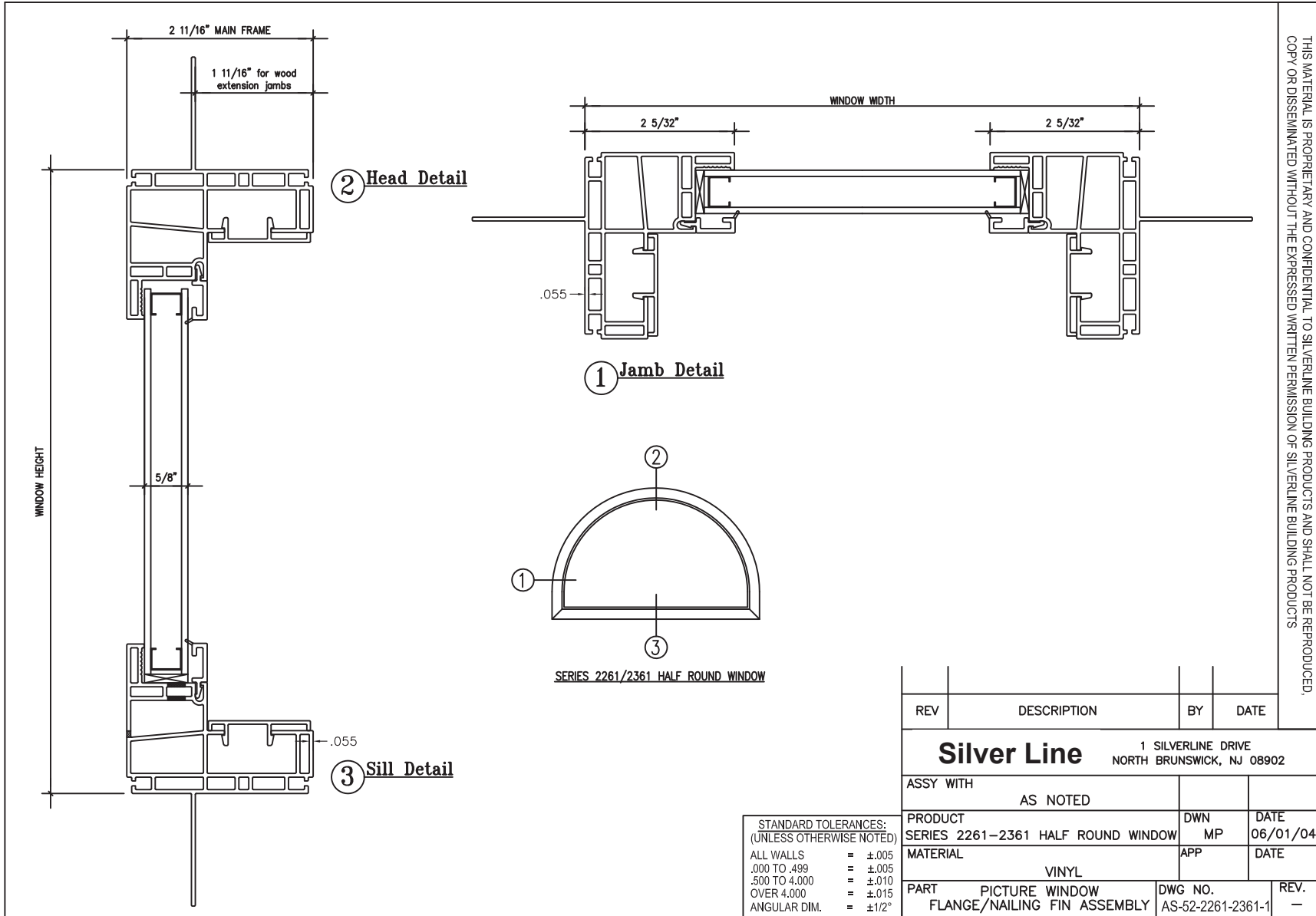
STANDARD TOLERANCES:  
(UNLESS OTHERWISE NOTED)

ALL WALLS	= ±.005
.000 TO .499	= ±.005
.500 TO 4.000	= ±.010
OVER 4.000	= ±.015
ANGULAR DIM.	= ±1/2°

REV	DESCRIPTION	BY	DATE
<b>Silver Line</b>			
ASSY WITH		AS NOTED	
PRODUCT		DWN	DATE
SERIES 2292/2392 HORIZ. SLIDER		JRB	12/29/08
MATERIAL		APP	DATE
VINYL			
PART	HORIZONTAL SLIDER REPLACEMENT ASSEMBLY	DWG NO.	REV.
		AS-52-2392-1	A

THIS MATERIAL IS PROPRIETARY AND CONFIDENTIAL TO SILVERLINE BUILDING PRODUCTS AND SHALL NOT BE REPRODUCED, COPY OR DISSEMINATED WITHOUT THE EXPRESSED WRITTEN PERMISSION OF SILVERLINE BUILDING PRODUCTS





THIS MATERIAL IS PROPRIETARY AND CONFIDENTIAL TO SILVERLINE BUILDING PRODUCTS AND SHALL NOT BE REPRODUCED, COPY OR DISSEMINATED WITHOUT THE EXPRESSED WRITTEN PERMISSION OF SILVERLINE BUILDING PRODUCTS.

REV	DESCRIPTION	BY	DATE
<b>Silver Line</b> 1 SILVERLINE DRIVE NORTH BRUNSWICK, NJ 08902			
ASSY WITH		AS NOTED	
PRODUCT	SERIES 2261-2361 HALF ROUND WINDOW	DWN	DATE
MATERIAL	VINYL	MP	06/01/04
PART	PICTURE WINDOW FLANGE/NAILING FIN ASSEMBLY	APP	DATE
DWG NO.		AS-52-2261-2361-1	REV.
			—

STANDARD TOLERANCES:  
(UNLESS OTHERWISE NOTED)  
ALL WALLS = ±.005  
.000 TO .499 = ±.005  
.500 TO 4.000 = ±.010  
OVER 4.000 = ±.015  
ANGULAR DIM. = ±1/2°